

LED Step Light

ER3003-12V

INSTALLATION SHEET

START FROM HERE

- Make sure power is completely off at the fuse box.
- Have your fixture installed by a qualified licensed electrician
- Prepare everything in a clear area.
- Wear gloves at all times during this installation.
- Read instructions carefully before you start assembly.
- Keep this instruction sheet for future reference.

Technical Support: 1-855-855-8926

Please Note:

- This Kuzco LED fixture comes with pre-wired LED module(s)
- Unless instructed, Do Not touch any part of the LED module(s) as any unnecessary contact with the module could cause permanent damage
- 12V DC input with Class 2 LED Driver (Driver supplied by others)

- 1.** Remove the fixture from its original packaging. Remove the mounting plate (1c) from within the fixture (1f) by removing the two screws (1g). Secure mounting plate (1c) to the electrical junction box (1a), using the two screws (1d) provided in the hardware package.

NOTE: This fixture is to be used with a 1 Gang junction box suited for intended application with minimum inside dimensions of 3.5"H x 2"W and minimum depth of 2 3/4". A deeper junction box may be needed depending on hardware and type/amount of wires being used.

- 2.** Make low voltage wire connection by connecting fixture wire to 12V low voltage input wire with marrettes supplied (1b). Align the gasket (1e) provided before securing the fixture (1f) to the mounting plate (1c). Align the fixture to the mounting plate (1c) and secure using the two screws (1g) provided.

- 3.** To prevent moisture from entering the outlet box and causing a short, seal around the top and side perimeter between the fixture and the wall surface with weather resistant caulking (see illustration 1). The space at bottom should be left un-caulked to prevent moisture build-up.

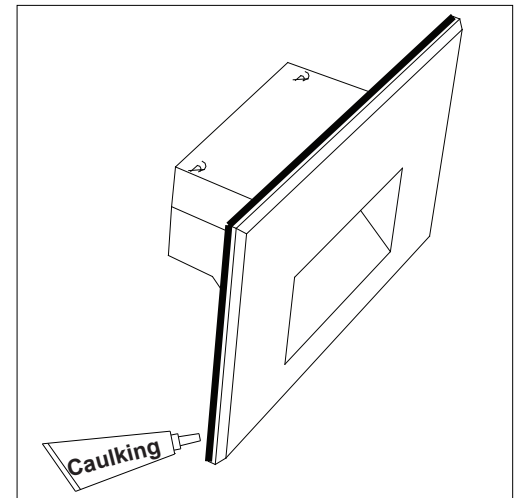
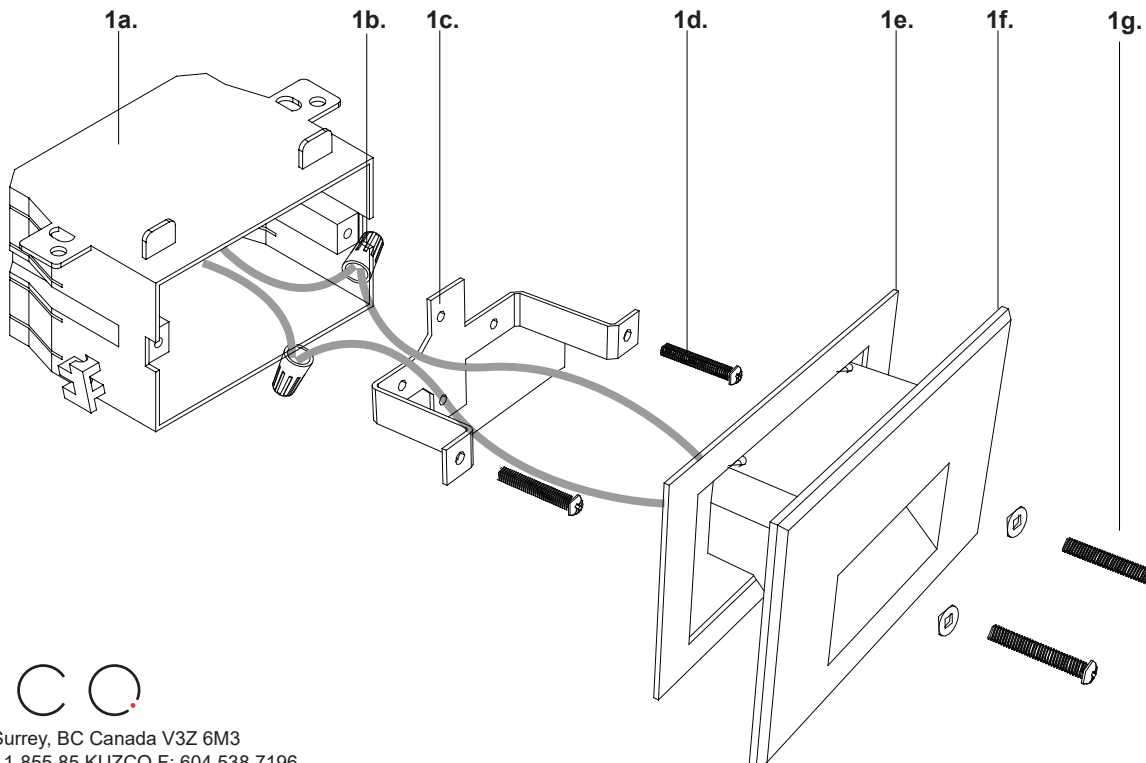


Illustration 1.



KUZCO

19054 28th Avenue Surrey, BC Canada V3Z 6M3
T: 604 538 7162 TF: 1-855 85 KUZCO F: 604 538 7196
W: kuzcolighting.com
20210604